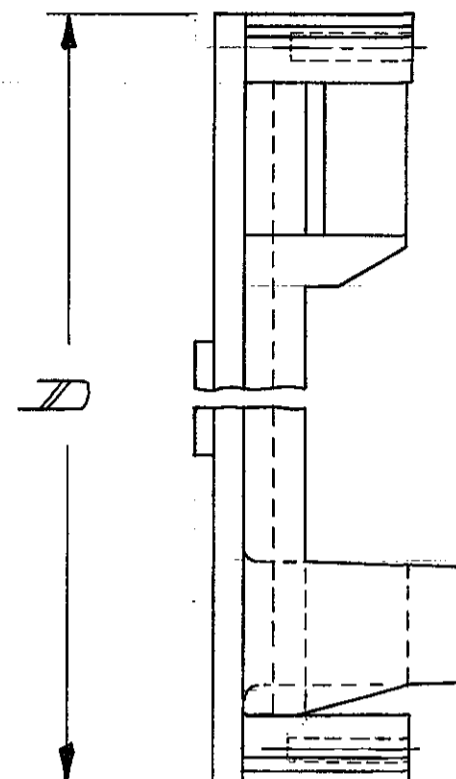
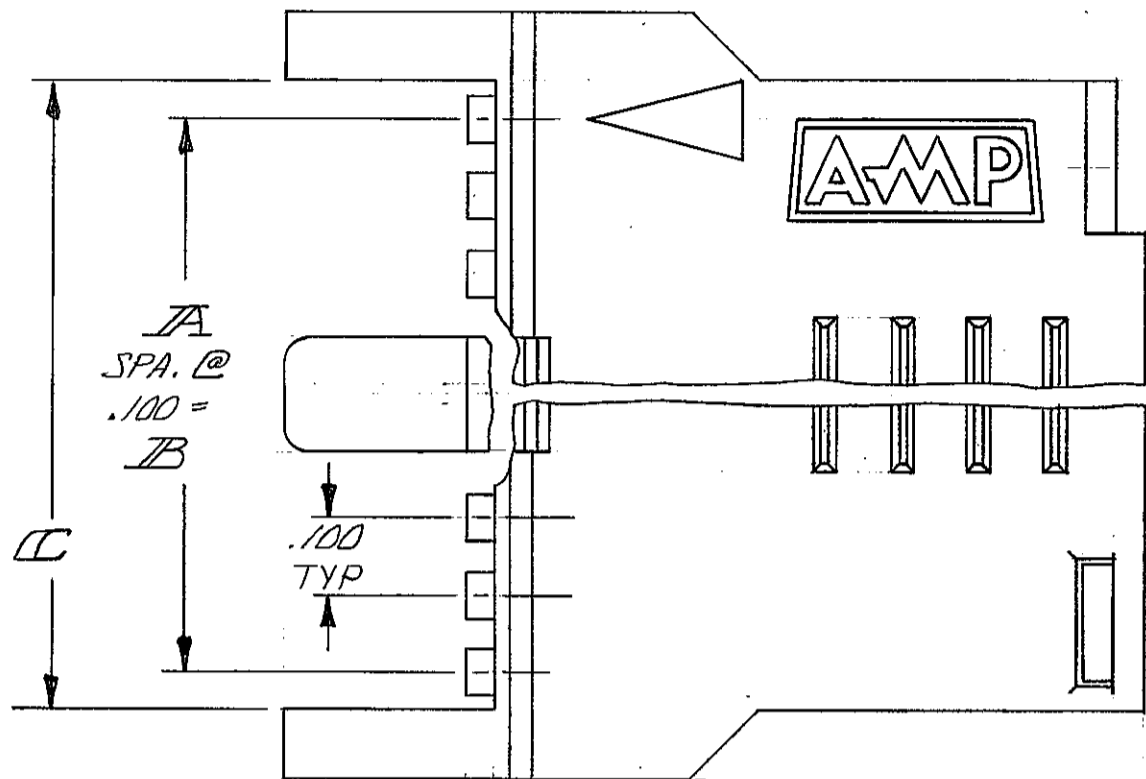
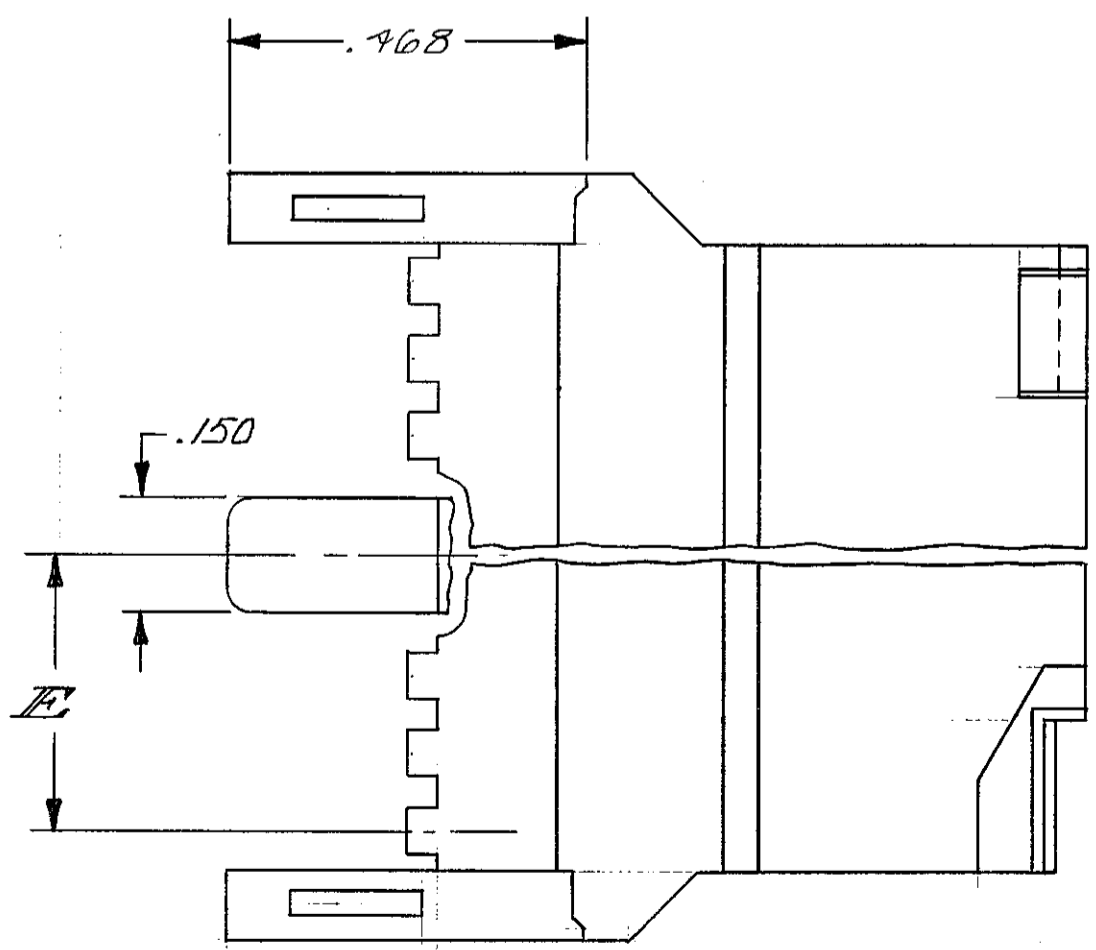
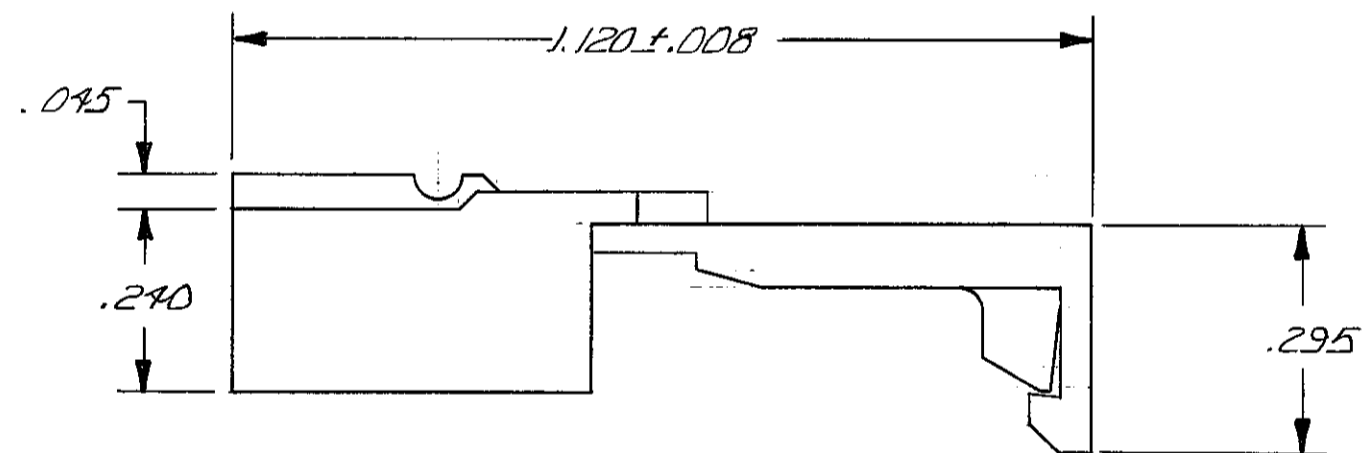


THIS DRAWING IS UNPUBLISHED. RELEASED FOR PUBLICATION MAY 3, 1983.
 © COPYRIGHT 1983 BY AMP INCORPORATED, HARRISBURG, PA. ALL INTERNATIONAL RIGHTS RESERVED. AMP PRODUCTS MAY BE COVERED BY U.S. AND FOREIGN PATENTS AND/OR PATENTS PENDING.

REVISIONS					
P	F	ZONE	LTR	DESCRIPTION	DATE APPROVED
0	✓		D	REL	
01	✓		01	REV-ECN AR 1895	4-13-88
✓	✓		A	REV LOC & DIST AD-4171	11-27-89
✓	✓		B	OBS-14-15 ECN 0415-93	8-93
			C	REV PER-ECN 0310-0460-97	17JUN98



- △ NO CENTER BAR ON THIS PART.
- 2. THIS COVER TO BE USED WITH PART NO. 102396.
- ③ OBSOLETE PART NUMBER



1.550	3.396	3.206	3.100	31	64	△ 103268-5	
1.450	3.196	3.006	2.900	29	60	1-③	-4
1.200	2.696	2.506	2.400	24	50	1-	-3
1.050	2.396	2.206	2.100	21	44	1-△	-2
.950	2.196	2.006	1.900	19	40	1-	-1
.800	1.896	1.706	1.600	16	34	1-	-0
.700	1.696	1.506	1.400	14	30		-9
.600	1.496	1.306	1.200	12	26		-8
.550	1.396	1.206	1.100	11	24		-7
.450	1.196	1.006	.900	9	20		-6
.350	.996	.806	.700	7	16	△	-5
.300	.896	.706	.600	6	14	△	-4
.250	.796	.606	.500	5	12	△	-3
.200	.696	.506	.400	4	10	△	-2
△	.596	.406	.300	3	8	③ 103268-1	
IE	ID	IC	IB	IA	NO. OF POS.		PART NO

UNLESS OTHERWISE SPECIFIED DIMENSIONS ARE IN INCHES. TOLERANCES ON: DECIMALS ± .005 ANGLES ±	CONTRACT NO	AMP AMP INCORPORATED Harrisburg, Pa. 17105	
	DR. <i>P. A. Cook 5-3-83</i>	NAME	COVER-HALF, MASS TERMINATION, AMPMODU, DOUBLE ROW, .100 X .100, W/CENTER BAR POLARIZATION FOR EJECT HEADER
MATERIAL FLAME RETARDANT THERMOPLASTIC COLOR: BLACK	CHK <i>R. Chida 5-11-83</i>	APPD <i>R. Chida 5-11-83</i>	APPD <i>J. M. Ungard 5-11-83</i>
FINISH	DSGN APPD	SIZE C	FSCM NO 00779
	OTHER APPD	DRAWING NO 103268	SCALE
		SHEET 1 OF 1	